

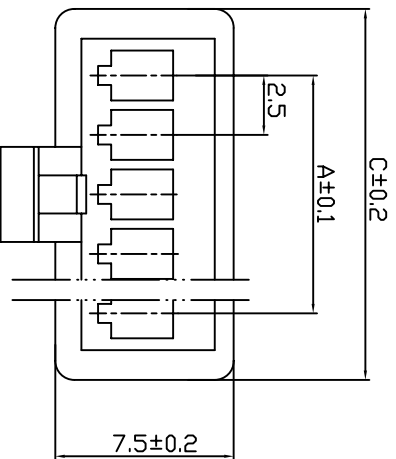
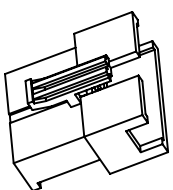
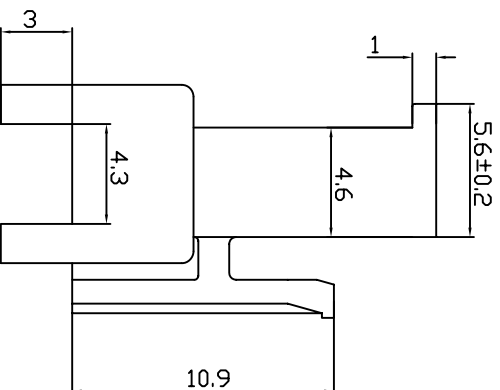
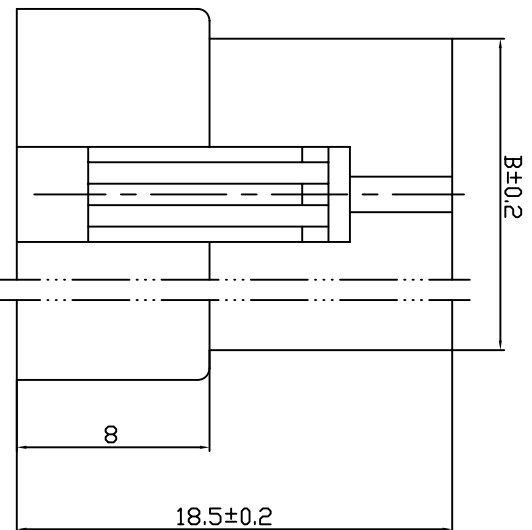
12	SM-12P	27.5	30.5
11	SM-11P	25.0	28.0
10	SM-10P	22.5	25.5
9	SM-9P	20.0	23.0
8	SM-8P	17.5	20.5
7	SM-7P	15.0	18.0
6	SM-6P	12.5	15.5
5	SM-5P	10.0	13.0
4	SM-4P	7.5	10.5
3	SM-3P	5.0	8.0
2	SM-2P	2.5	5.5
线数 Poles	型号 Type	尺寸Dimensions (mm)	
	A	B	

Technical Remarks:
 1. part smooth, uniform color, marking a clear,
 No cracking, delamination, lack of material,
 pattern, plug holes and other phenomena.
 2. Tolerance by SJ/T10628 if do not noted.

UNLESS OTHERWISE SPECIFIED ALL DIMENSIONS ARE IN MM		TOLERANCES: WHOLE NO. ±0.2		DECIMAL ±0.1		ANGLE ±0.5°	
MARK	REV	NAME	DATE	SIZE	REV	SCALE	PAGE
				A4		4:1	1/1
DESIGNER	XUWUYU		2008.02.23				
CHECKED	MEIJIAOLONG		2008.02.23				
APPROVAL	JIVAOHU		2008.02.23				
MATERIAL : PA66				MODEL: SM-(n)P			
FILE NO.: ZR7.810.187							

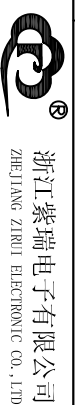
A B C D E F G H

1 2 3 4 5 6



12	SM-12R	27.5	30.6	33.1
11	SM-11R	25.0	28.1	30.6
10	SM-10R	22.5	25.6	28.1
9	SM-9R	20.0	23.1	25.6
8	SM-8R	17.5	20.6	23.1
7	SM-7R	15.0	18.1	20.6
6	SM-6R	12.5	15.6	18.1
5	SM-5R	10.0	13.1	15.6
4	SM-4R	7.5	10.6	13.1
3	SM-3R	5.0	8.1	10.6
2	SM-2R	2.5	5.6	8.1
线数 Poles	型号 Type	A	B	C

尺寸Dimensions (mm)



浙江紫瑞电子有限公司
ZHEJIANG ZHIRUI ELECTRONIC CO., LTD

MATERIAL: PA66

MODEL: SM-(n)R

FILE NO.: ZR7. 810. 188

Technical Remarks:

1. part smooth, uniform color, marking a clear, No cracking, delamination, lack of material, pattern, plug holes and other phenomena.
2. Tolerance by SJ/TI0628 if do not noted.

MARK	REV	NAME	DATE	SIZE	REV	SCALE	PAGE
DESIGNER	XUWUYU		2008.02.23	A4		3:1	1/1
CHECKED	MEIJIAOLONG		2008.02.23				
APPROVAL	JIYAOHU		2008.02.23				

UNLESS OTHERWISE SPECIFIED
ALL DIMENSIONS ARE IN MM
TOLERANCES:
WHOLE NO. ±0.2
DECIMAL ±0.1
ANGLE ±0.5°

APPROVAL

DESIGNER

A B C D E F G H

1

1