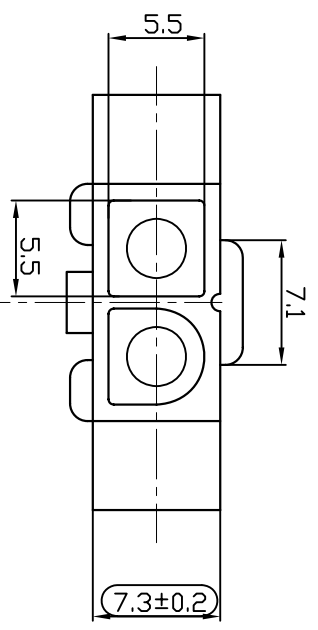
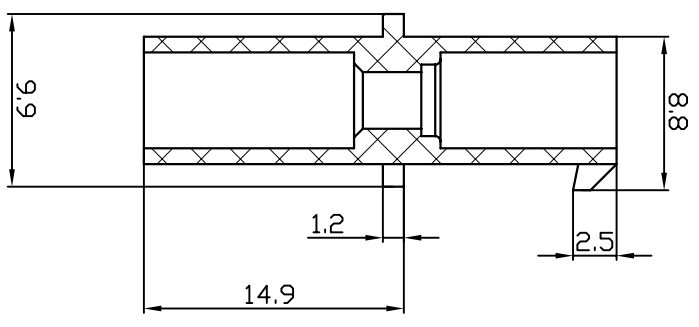
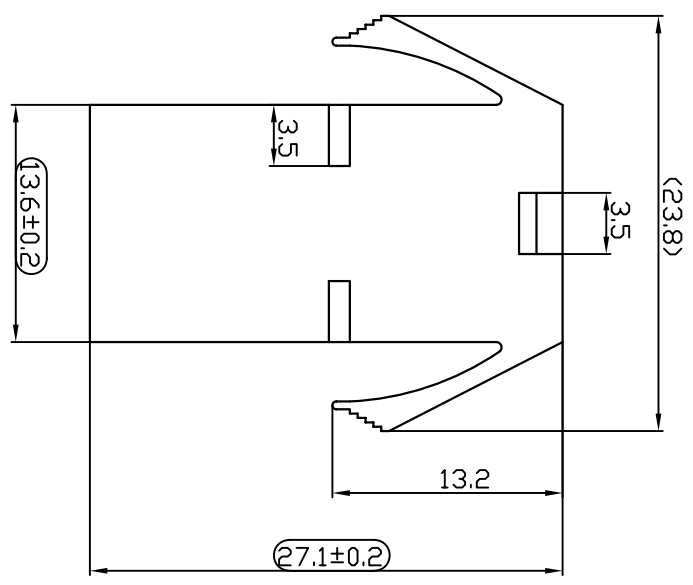
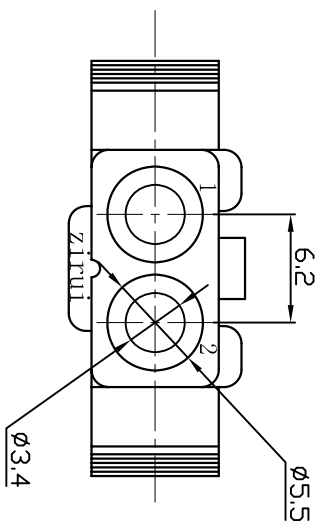


Technical Remarks:
 1. part smooth, uniform color, marking a clear,
 No cracking, delamination, lack of material,
 pattern, plug holes and other phenomena.
 2. Tolerance by SJ/T10628 if do not noted.


MARK	REV	NAME	DATE	UNLESS OTHERWISE SPECIFIED ALL DIMENSIONS ARE IN MM TOLERANCES: WHOLE NO. DECIMAL ANGLE ±0.2 ±0.1 ±0.5°							
DESIGNER	XUWUYU		2007.08.24	SIZE	REV	SCALE	PAGE	MATERIAL : PA66			
CHECKED	MEIJIALONG		2007.08.24	A4		2:1	1/1	MODEL: L6.2-2P			
APPROVAL	JIYAOHU		2007.08.24					FILE NO.: ZR7.810.076			

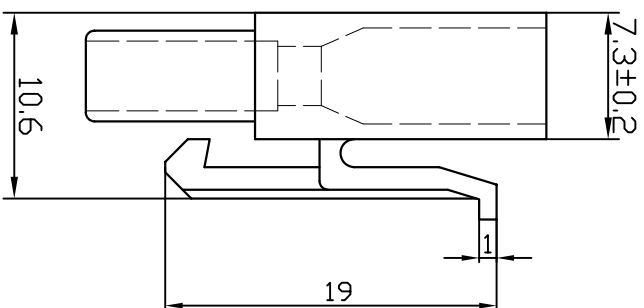
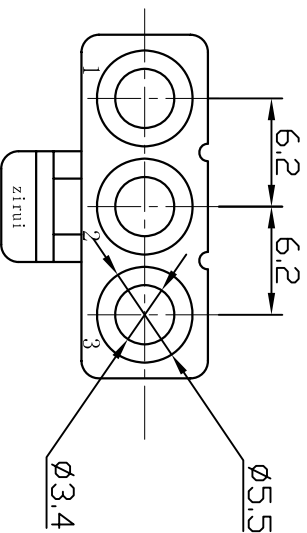
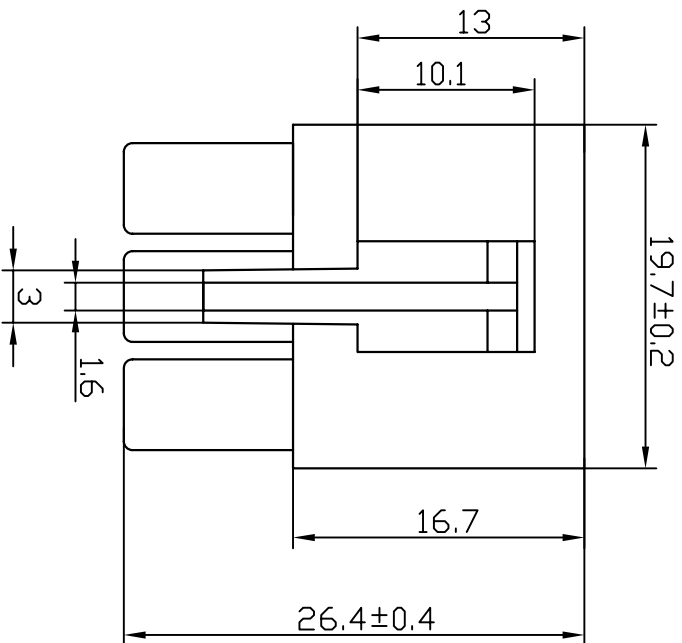
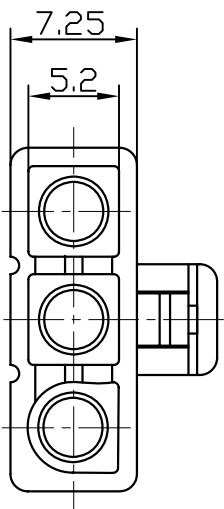


浙江紫瑞电子有限公司
 ZHEJIANG ZHIRUI ELECTRONIC CO., LTD



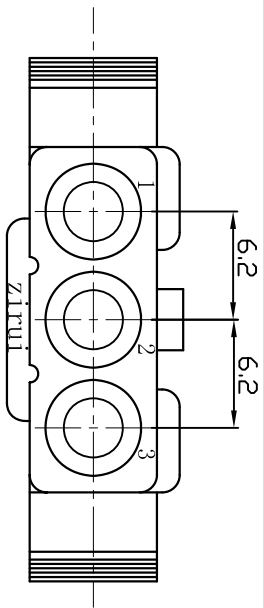
Technical Remarks:
 1. part smooth, uniform color, marking a clear, No cracking, delamination, lack of material, pattern, plug holes and other phenomena.
 2. Tolerance by SJ/T10628 if do not noted.

MARK		REV		NAME		DATE		SIZE		REV		SCALE		PAGE	
				XUWUYU		2007.12.01		A4				2:1		1/1	
DESIGNER		CHECKED		APPROVAL											
		MEIJIALONG		JIYAOHU		2007.12.01									
<p>UNLESS OTHERWISE SPECIFIED ALL DIMENSIONS ARE IN MM TOLERANCES: WHOLE NO. DECIMAL ANGLE ± 0.2 ± 0.1 $\pm 0.5^\circ$</p>															
<p> 浙江紫瑞电子有限公司 ZHEJIANG ZIRUI ELECTRONIC CO., LTD</p>															
<p>MATERIAL : PA66</p>															
<p>MODEL : L6.2-2R</p>															
<p>FILE NO.: ZR7.810.094</p>															

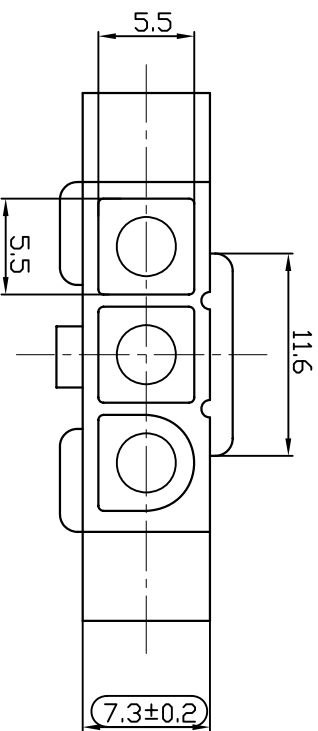
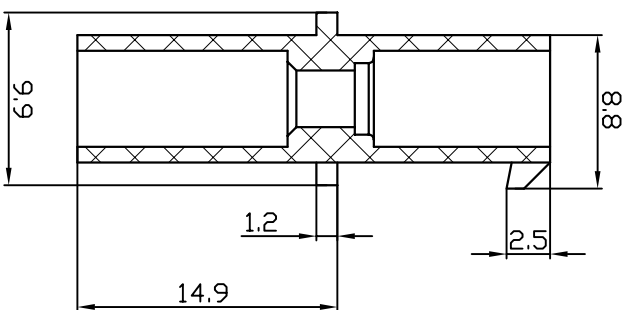
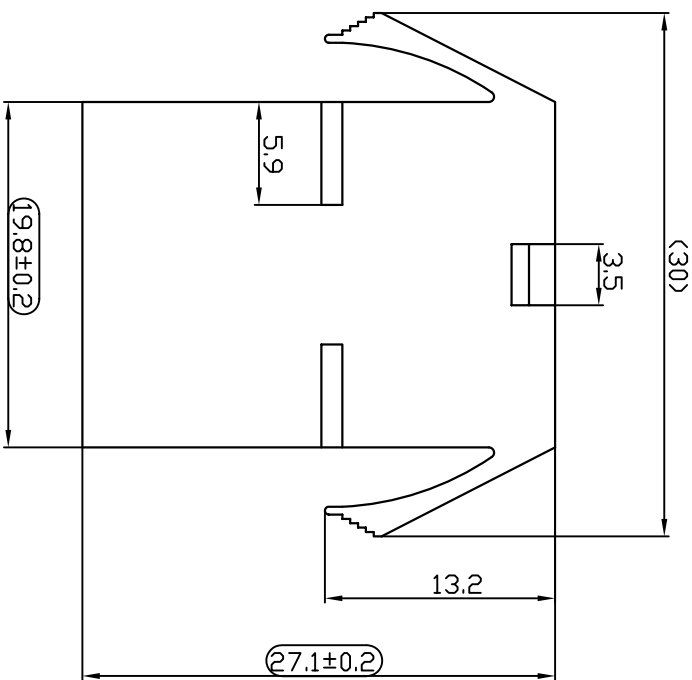


Technical Remarks:
 1. part smooth, uniform color, marking a clear,
 No cracking, delamination, lack of material,
 pattern, plug holes and other phenomena.
 2. Tolerance by SJ/T10628 if do not noted.

MARK	REV	NAME	DATE	UNLESS OTHERWISE SPECIFIED ALL DIMENSIONS ARE IN MM TOLERANCES: WHOLE NO. ±0.2 DECIMAL ±0.1 ANGLE ±0.5°																					
DESIGNER	XUWUYU		2007.09.13	SIZE	REV	SCALE	PAGE	MATERIAL : PA66														浙江紫瑞电子有限公司 ZHEJIANG ZIRUI ELECTRONIC CO., LTD			
CHECKED	MEIJIALONG		2007.09.13	A4		2:1	1/1	MODEL: L6.2-3P																	
APPROVAL	JIYAOHU		2007.09.13					FILE NO.: ZR7.810.084																	



Technical Remarks:
 1. part smooth, uniform color, marking a clear,
 No cracking, delamination, lack of material,
 pattern, plug holes and other phenomena.
 2. Tolerance by SJ/T10628 if do not noted.



MARK		REV		NAME		DATE		UNLESS OTHERWISE SPECIFIED ALL DIMENSIONS ARE IN MM	
DESIGNER		XUWUYU		2007.12.01		2007.12.01		TOLERANCES: WHOLE NO. ±0.2	
CHECKED		MEIJIALONG		2007.12.01		A4		DECIMAL ±0.1	
APPROVAL		JIYAOHU		2007.12.01				ANGLE ±0.5°	
								SCALE 2:1	
								PAGE 1/1	



浙江紫瑞电子有限公司
 ZHEJIANG ZIRUI ELECTRONIC CO., LTD

MATERIAL : PA66

MODEL: L6.2-3R

FILE NO.: ZR7.810.093