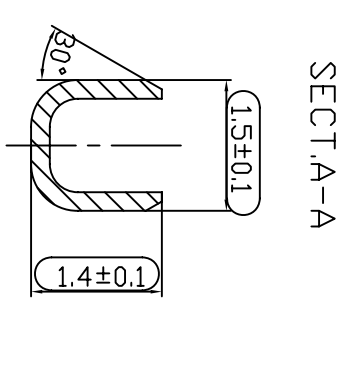
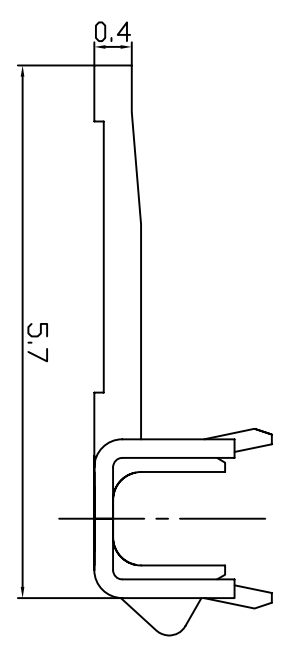
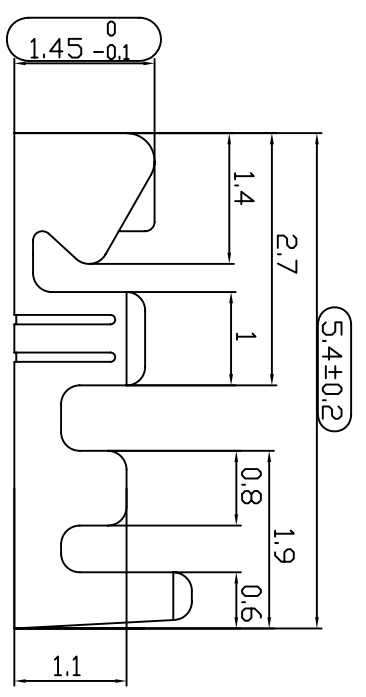
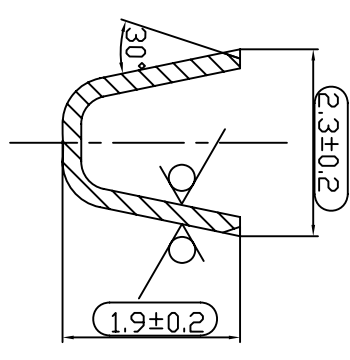
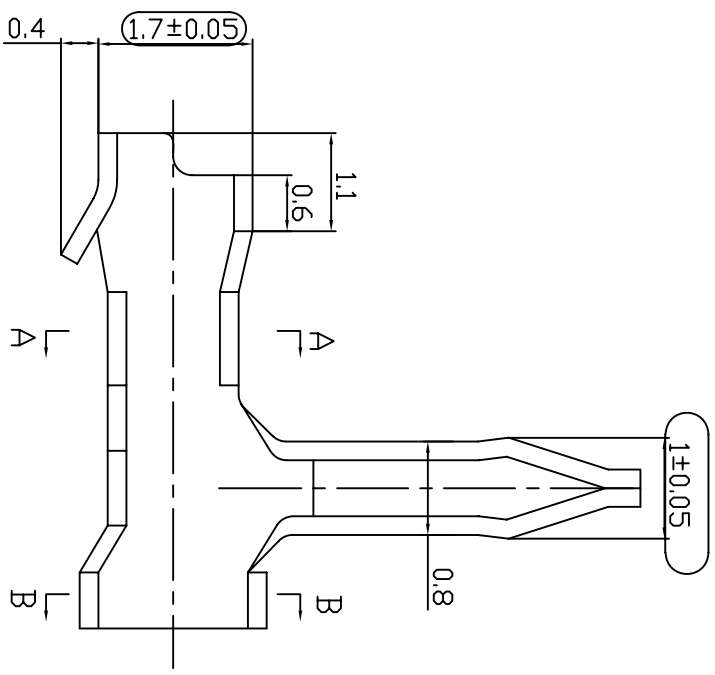


A | B | C | D | E | F | G | H



SECT. A-A

其余 $\frac{3}{2}$



SECT. B-B

Technical Remarks:

- 1, The part must be free of hazard burrs, pointed, sharp edges and mechanical damage.
- 2, The Plating should be uniform, bright, nodefects such as fog spot and delamination.
- 3, Tolerance is not injected by GB1804-M-class.

MARK	REV	NAME	DATE
DESIGNER	XUWUYU		2009.08.26
CHECKED	MEIJIAOLONG		2009.08.26
APPROVAL	JIVAOHU		2009.08.26

Plating	Cu/Ep. Sn (99)-Sb3-5b
UNLESS OTHERWISE SPECIFIED ALL DIMENSIONS ARE IN MM TOLERANCES: WHOLE NO. ±0.2 DECIMAL ±0.1 ANGLE ±0.5°	
SIZE	A4
REV	
SCALE	10:1
PAGE	1/1

<p>浙江紫瑞电子有限公司 ZHEJIANG ZHIRUI ELECTRONIC CO., LTD</p>	<p>MATERIAL :PHOS.BRONZE(05sn. 5-0.1 Y δ=0.2)</p> <p>MODEL: JC20</p> <p>FILE NO.: ZR7.731.067</p>
---	---

Symbol Description		Control size
--------------------	--	--------------

A | B | C | D | E | F | G | H

1 | 2 | 3 | 4 | 5 | 6