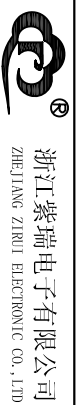


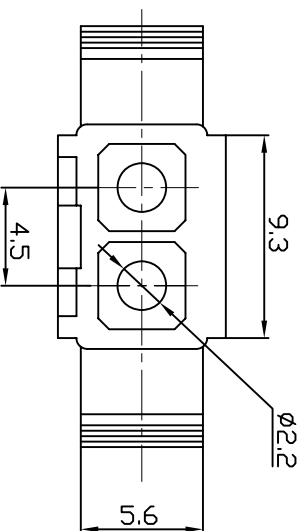
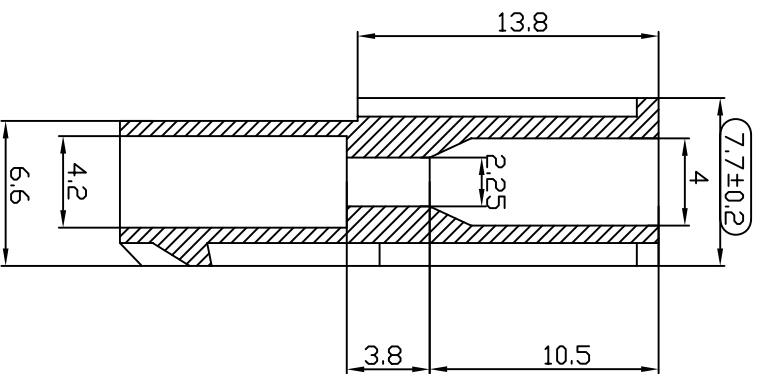
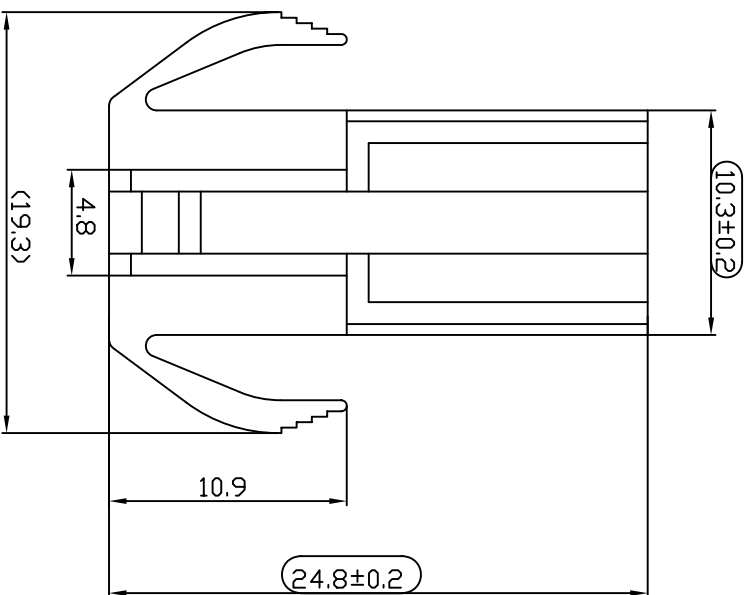
Technical Remarks:

1. part smooth, uniform color, marking a clear, No cracking, delamination, lack of material, pattern, plug holes and other phenomena.
2. Tolerance by SJ/T10628 if do not noted.

MARK		REV		NAME		DATE		UNLESS OTHERWISE SPECIFIED ALL DIMENSIONS ARE IN MM TOLERANCES: WHOLE NO. DECIMAL ANGLE ± 0.2 ± 0.1 $\pm 0.5^\circ$	
DESIGNER		XUWUYU		2009.11.08		A4		MATERIAL : PA66	
CHECKED		MEIJIADONG		2009.11.08		2.5:1		MODEL: EL-2P	
APPROVAL		JIYAOHU		2009.11.08		1/1		FILE NO.: ZR7. 810. 030	



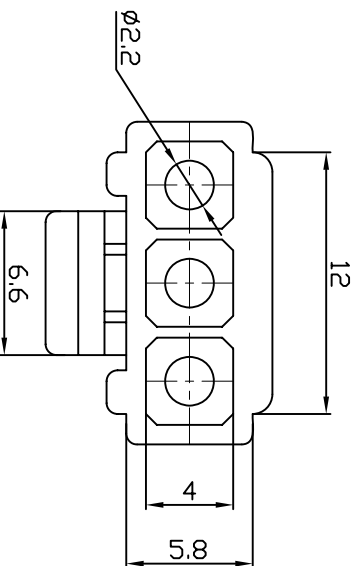
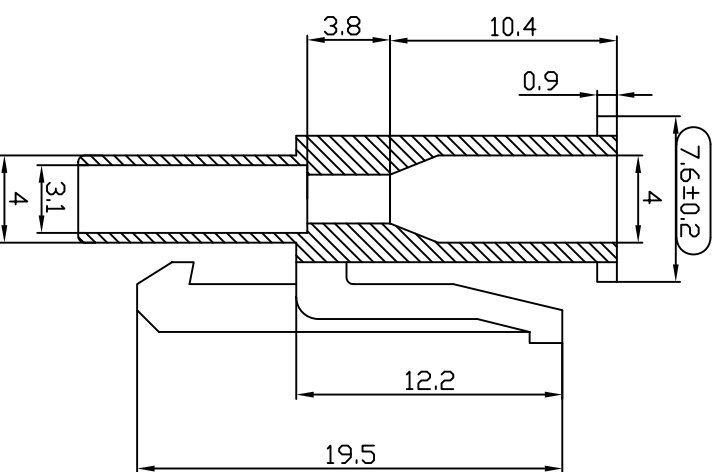
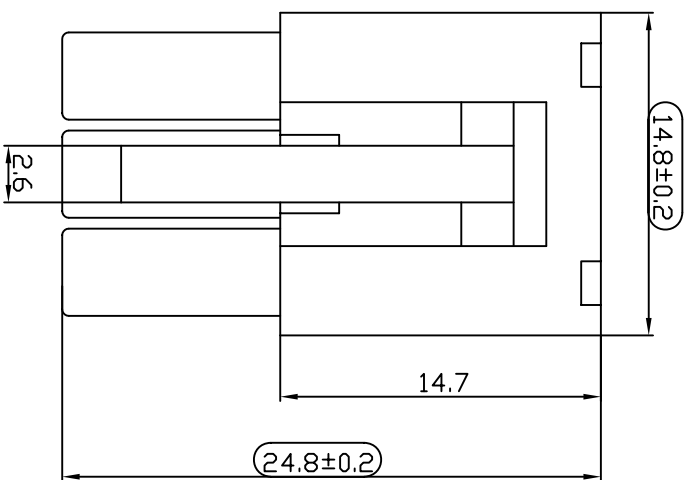
浙江紫瑞电子有限公司
ZHEJIANG ZHIRUI ELECTRONIC CO., LTD



Technical Remarks:

1. part smooth, uniform color, marking a clear, No cracking, delamination, lack of material, pattern, plug holes and other phenomena.
2. Tolerance by SJ/T10628 if do not noted.

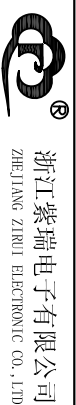
MARK		REV	NAME	DATE	UNLESS OTHERWISE SPECIFIED ALL DIMENSIONS ARE IN MM TOLERANCES: WHOLE NO. DECIMAL ANGLE		
DESIGNER	XUWUYU			2009.05.08	±0.2	±0.1	±0.5°
CHECKED	MEIJIAOLONG			2009.05.08	A4		
APPROVAL	JIVAOHU			2009.05.08		2.5:1	1/1
MATERIAL : PA66							
MODEL: EL-2R				浙江紫瑞电子有限公司 ZHEJIANG ZHIRUI ELECTRONIC CO., LTD			
FILE NO.: ZR7. 810. 027							

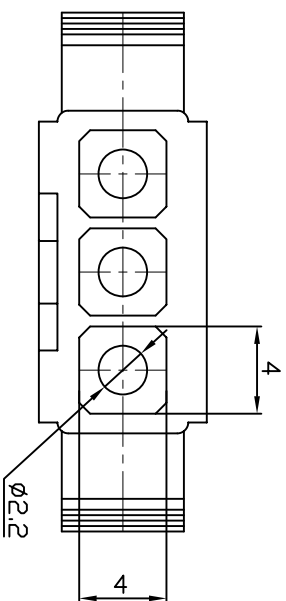
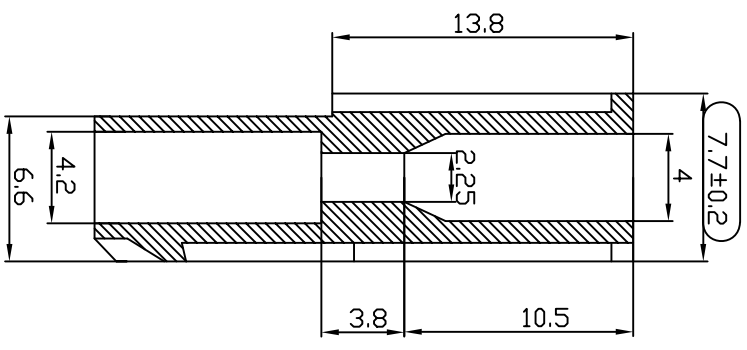
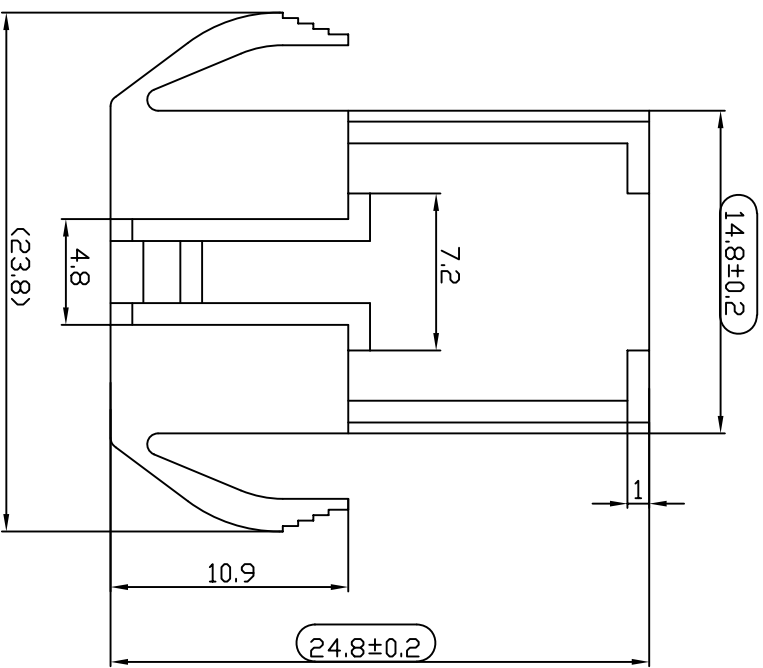


Technical Remarks:

1. part smooth, uniform color, marking a clear, No cracking, delamination, lack of material, pattern, plug holes and other phenomena.
2. Tolerance by SJ/T10628 if do not noted.

MARK	REV	NAME	DATE	UNLESS OTHERWISE SPECIFIED ALL DIMENSIONS ARE IN MM TOLERANCES: WHOLE NO. DECIMAL ANGLE ± 0.2 ± 0.1 $\pm 0.5^\circ$																	
DESIGNER	XUWUYU		2010.05.28	SIZE	REV	SCALE	PAGE	MATERIAL : PA66													
CHECKED	MEIJIADONG		2010.05.28	A4		2.5:1	1/1	MODEL: EL-3P													
APPROVAL	JIVAOHU		2010.05.28					FILE NO.: ZR7. 810. 117													





Technical Remarks:

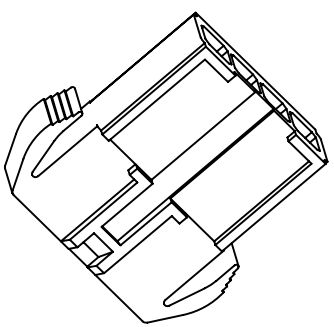
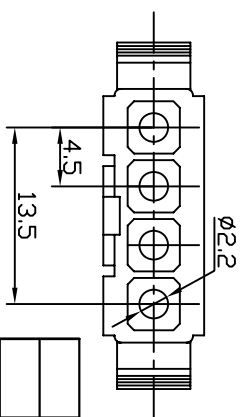
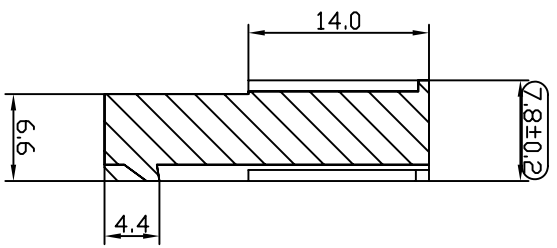
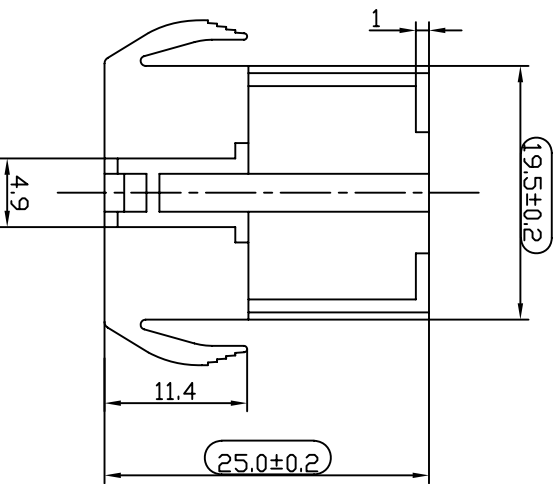
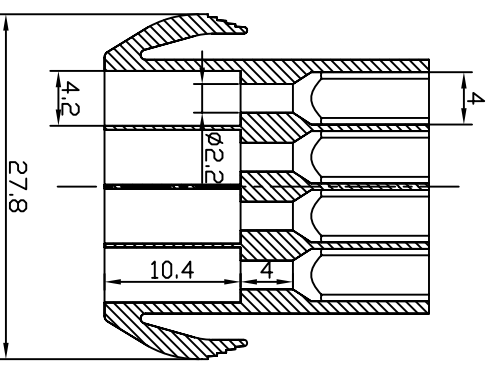
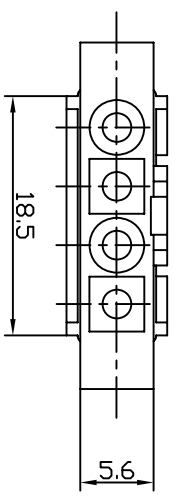
1. part smooth, uniform color, marking a clear, No cracking, delamination, lack of material, pattern, plug holes and other phenomena.
2. Tolerance by SJ/T10628 if do not noted.

						UNLESS OTHERWISE SPECIFIED ALL DIMENSIONS ARE IN MM	
MARK	REV	NAME	DATE	SIZE	REV	SCALE	ANGLE
DESIGNER	XUWUYU		2009.05.28	A4		2.5:1	±0.5°
CHECKED	MEILIAOLONG		2009.05.28				
APPROVAL	JIVAOHU		2009.05.28				
				TOLERANCES: WHOLE NO. ±0.2		DECIMAL ±0.1	
				MATERIAL: PA66		MODEL: EL-3R	
				FILE NO.: ZR7.810.118			




A | B | C | D | E | F | G | H

1 | 2 | 3 | 4 | 5 | 6



Technical Remarks:
 1. part smooth, uniform color, marking a clear, No cracking, delamination, lack of material, pattern, plug holes and other phenomena.
 2. Tolerance by SJ/T10628 if do not noted.

UNLESS OTHERWISE SPECIFIED ALL DIMENSIONS ARE IN MM							
TOLERANCES: WHOLE NO. ±0.2				DECIMAL ±0.1			
ANGLE ±0.5°							
MARK	REV	NAME	DATE	SIZE	REV	SCALE	PAGE
DESIGNER	XUWUYU	2009.05.08		A4		1.5:1	1/1
CHECKED	MEIJIAOLONG	2009.05.08					
APPROVAL	JIYAOHU	2009.05.08					
 浙江紫瑞电子有限公司 ZHEJIANG ZHIRUI ELECTRONIC CO., LTD				MATERIAL: PA66 MODEL: EL-4R FILE NO.: ZR7.810.175			