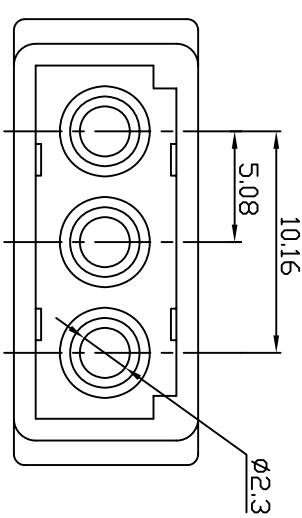
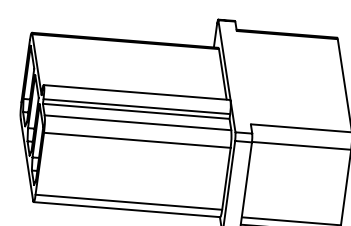
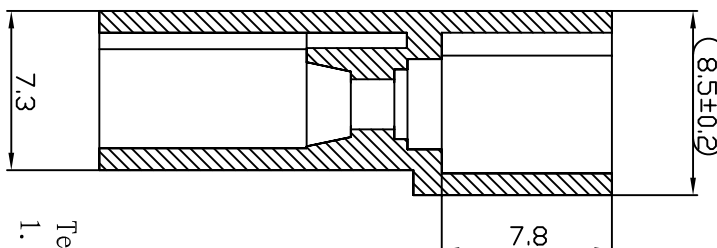
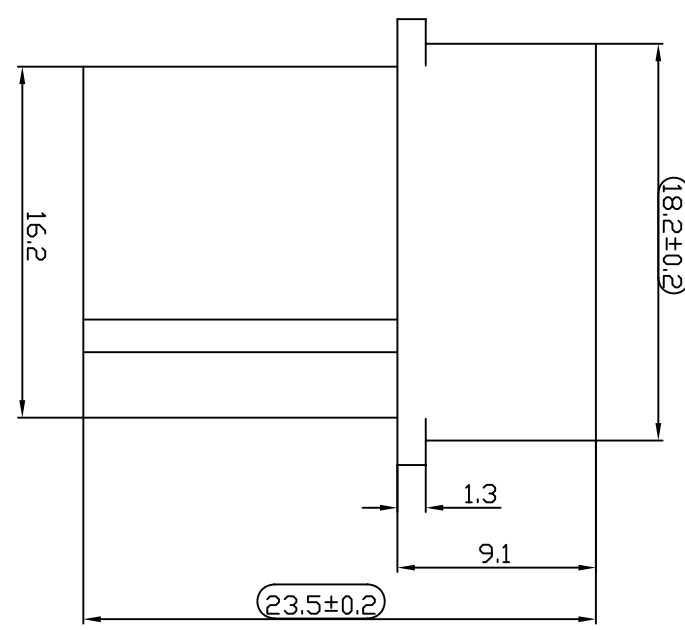
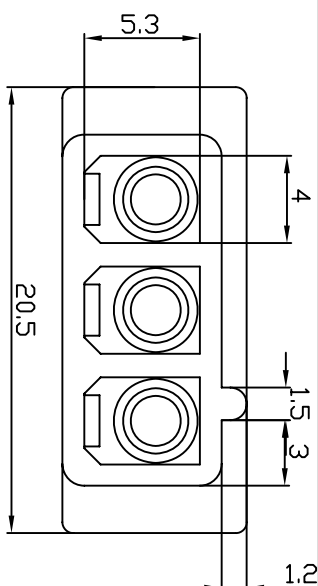


Technical Remarks:
 1. part smooth, uniform color, marking a clear, No cracking, delamination, lack of material, pattern, plug holes and other phenomena.
 2. Tolerance by SJ/T10628 if do not noted.

UNLESS OTHERWISE SPECIFIED ALL DIMENSIONS ARE IN MM				TOLERANCES: WHOLE NO. ±0.2				DECIMAL ±0.1				ANGLE ±0.5°			
MARK	REV	NAME	DATE	SIZE	REV	SCALE	PAGE	MATERIAL: PA66							
DESIGNER	XINGGUIHU		2011.07.21	A4		2.5:1	1/1	MODEL: 8981-3P							
CHECKED	MEIJIAOLONG		2011.07.21					FILE NO.: ZR7.810.107							
APPROVAL	JIYAOHU		2011.07.21												



浙江紫瑞电子有限公司
 ZHEJIANG ZHIRUI ELECTRONIC CO., LTD



Technical Remarks:
 1. part smooth, uniform color, marking a clear, No cracking, delamination, lack of material, pattern, plug holes and other phenomena.
 2. Tolerance by SJ/T10628 if do not noted.

						UNLESS OTHERWISE SPECIFIED ALL DIMENSIONS ARE IN MM	
						TOLERANCES: WHOLE NO. DECIMAL ANGLE	
MARK	REV	NAME	DATE	SIZE	REV	SCALE	ANGLE
DESIGNER	XINGGUIHU		2011.07.27	A4		2.5:1	±0.5°
CHECKED	MEIJIAOLONG		2011.07.27				±0.1
APPROVAL	JIVAOHU		2011.07.27				±0.1
				MATERIAL: PA66			
				MODEL: 8981-3R			
				FILE NO.: ZR7.810.108			



浙江紫瑞电子有限公司
 ZHEJIANG ZHIRUI ELECTRONIC CO., LTD

